

TECHNICAL DATA SHEET

LED Down Light / EN-DLA020-06, EN-DLA030-06, EN-DLA038-06

VERSION - 24.07.2017

STANDARD LUMINAIRE

Reference	EN-DLA020-06	EN-DLA030-06	EN-DLA038-06
Power	20 W	30 W	38 W
Current	500 mA	700 mA	900 mA
Protection Class	IP20 or IP44	IP20 or IP44	IP20 or IP44

Dimensions	240 x 240 x Ht.121.5mm
Cut-Out	ø201-215mm
Voltage	AC220-240V, 50-60Hz
Led Type	Cree Cob
CRI	80+ OR 90+
Beam Angle	24°, 40°, 60°
Dimmable	Yes
Orientable	30° on 2 axes
Working T°	-20°C ~ +45°C
Warranty	5 years

FINISH

Standard	Black + White, Black
Heat Sink	Fin-Style 6063 aluminium

ON REQUEST

CRI	80+, 90+
Beam Angle	24°, 40° or 60°
Protection Class	IP20 or IP44
Dimming Option	Triac, Dali, 1-10V <i>Ask technical departement for more information</i>

COLOR TEMPERATURE & LUMINOUS FLUX

EN-DLI020-06

2'700K	3'000K	4'000K	5'000K
1620 lm ±5%	1710 lm ±5%	1805 lm ±5%	1860 lm ±5%

EN-DLI030-06

2'700K	3'000K	4'000K	5'000K
2415 lm ±5%	2550 lm ±5%	2710 lm ±5%	2790 lm ±5%

EN-DLI038-06

2'700K	3'000K	4'000K	5'000K
3002 lm ±5%	3192 lm ±5%	3378 lm ±5%	3463 lm ±5%

CERTIFICAT

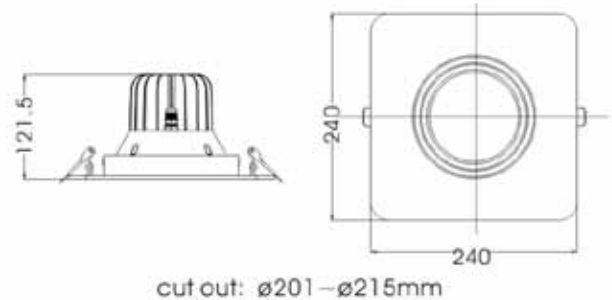
CE RoHS  

APPLICATION:

- perfect replacement for halogen lamp, incandescent bulb
- recessed lighting
- comemrcial lighting
- IP44 bathroom lighting,



TECHNICAL DRAWINGS



PRODUCT AVAILABLE

DUAL HEAD



TRIPLE HEAD

