

## TECHNICAL DATA SHEET

LED Down Light / EN-DLA040-07, EN-DLA060-07, EN-DLA076-07

VERSION - 24.07.2017

### STANDARD LUMINAIRE

Reference	EN-DLA040-07	EN-DLA060-07	EN-DLA076-07
Power	40 W	60 W	76 W
Current	500 mA	700 mA	900 mA
	per spot	per spot	per spot
Protection Class	IP20 or IP44	IP20 or IP44	IP20 or IP44
Dimensions	450 x 240 x Ht.121.5mm		
Cut-Out	395-420 x 201-215mm		
Voltage	AC220-240V, 50-60Hz		
Led Type	Cree Cob		
CRI	80+ OR 90+		
Beam Angle	24°, 40°, 60°		
Dimmable	Yes		
Orientable	30° on 2 axes		
Working T°	-20°C ~ +45°C		
Warranty	5 years		

### APPLICATION:

- perfect replacement for halogen lamp, incandescent bulb
- recessed lighting
- commercial lighting
- IP44 bathroom lighting, ....



### FINISH

Standard	Black + White, Black
Heat Sink	Fin-Style 6063 aluminium

### ON REQUEST

CRI	80+, 90+
Beam Angle	24°, 40° or 60°
Protection Class	IP20 or IP44
Dimming Option	Triac, Dali, 1-10V <i>Ask technical departement for more information</i>
Installation	Recessed or Suspended

### COLOR TEMPERATURE & LUMINOUS FLUX

#### EN-DLI040-07

<b>2'700K</b>	<b>3'000K</b>	<b>4'000K</b>	<b>5'000K</b>
2x1620 lm ±5%	2x1710 lm ±5%	2x1805 lm ±5%	2x1860 lm ±5%

#### EN-DLI060-07

<b>2'700K</b>	<b>3'000K</b>	<b>4'000K</b>	<b>5'000K</b>
2x2415 lm ±5%	2x2550 lm ±5%	2x2710 lm ±5%	2x2790 lm ±5%

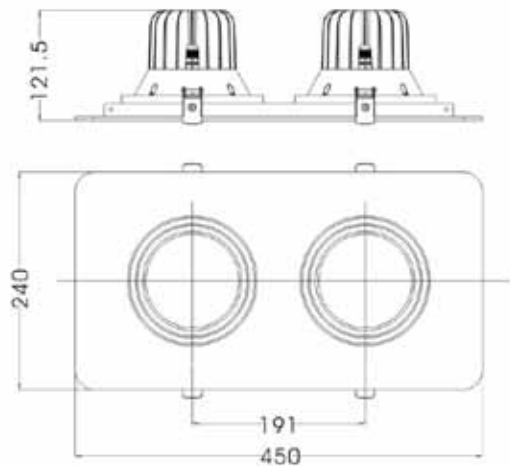
#### EN-DLI76-07

<b>2'700K</b>	<b>3'000K</b>	<b>4'000K</b>	<b>5'000K</b>
2x3002 lm ±5%	2x3192 lm ±5%	2x3378 lm ±5%	2x3463 lm ±5%

### CERTIFICAT

CE RoHS  

### TECHNICAL DRAWINGS



cut out: 395-420(L)x201-215(W)mm

### PRODUCT AVAILABLE

#### SINGLE HEAD



#### TRIPLE HEAD

