

TECHNICAL DATA SHEET

LED Track Light / EN-TLA030-02

VERSION - 05.09.2017

STANDARD LUMINAIRE

Reference	EN-TLA030-02
Power	30 W
Current	730 mA
Protection Class	IP20

Dimensions	Spot: $\varnothing 103.8 \times 158\text{mm}$ 3-pin track: $186.9 \times \text{Ht.} 234.9\text{mm}$ 4-pin track: $186.9 \times \text{Ht.} 244.9\text{mm}$
Voltage	AC220-240V, 50-60Hz
Led Type	Cree Cob
CRI	80+ or 90+
Beam Angle	15° or 24° or 38° or 60°
Dimmable	1-10V built-in dimmer <i>Ask technical departement for more information</i>
Installation	Track or Surface-Mounted
Working T°	-20°C ~ +45°C
Warranty	5 years

APPLICATION:

- perfect replacement for conventional halogen light
- shopping mall, clothing shop
- museum or art gallery
- commercial complex, showroom,



FINISH

Standard Black, White, Silver



ON REQUEST

CRI	80+ or 90+
Beam Angle	15° or 24° or 38° or 60°
Honeycomb	Honeycomb protection
Installation Type	On 3-pin or 4-pin track Surface-Mounted

COLOR TEMPERATURE & LUMINOUS FLUX

EN-TLA030-02

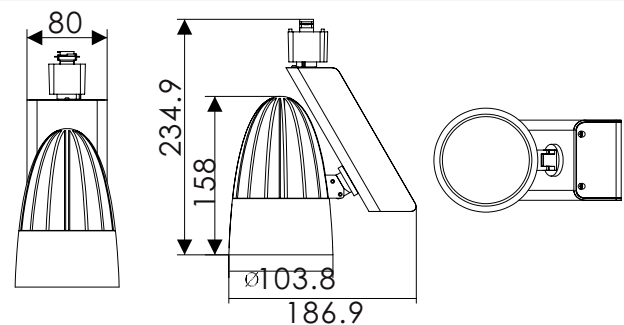
2'700K	3'000K	4'000K	5'000K
2409 lm $\pm 5\%$	2565 lm $\pm 5\%$	2705 lm $\pm 5\%$	2801 lm $\pm 5\%$

CERTIFICAT

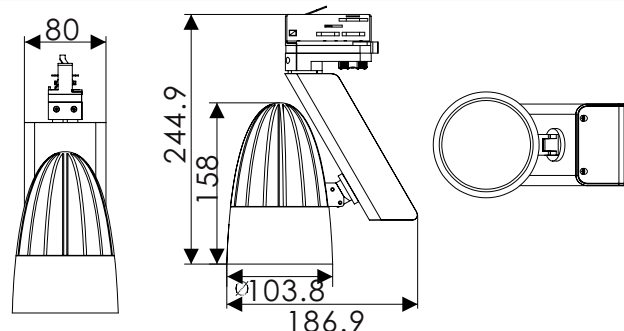
CE SAA RoHS

TECHNICAL DRAWINGS

3-pin track



4-pin track



AGABEKOV



AGABEKOV SA Manufacture 6, ROUTE DE COMPOIS
CH-1222 VÉSENAZ - GENEVA - SWITZERLAND
Tel. +41 22 752 47 45 Fax. +41 22 752 37 08
E-mail: info@agabekov.com



AGABEKOV SA Bureau d'etudes 6, ROUTE DE COMPOIS
CH-1222 VÉSENAZ - GENEVA - SWITZERLAND
Tel. +41 22 752 47 45 Fax. +41 22 752 37 08
Internet: www.agabekov.com

