

## TECHNICAL DATA SHEET

### LED Track Light / EN-TLI020-03, EN-TLI020-04

VERSION - 01.09.2017

#### STANDARD LUMINAIRE

Reference	EN-TLI020-03 EN-TLI020-04 (built-in dimmer)
Power	20 W
Current	500 mA
Protection Class	IP20
Dimensions	3-pin track: $\varnothing 75 \times 176.5 \times \text{Ht.} 213.4\text{mm}$ 4-pin track: $\varnothing 76 \times 215.1 \times \text{Ht.} 216\text{mm}$
Voltage	AC220-240V, 50-60Hz
Led Type	Cree Cob Led
CRI	80+ OR 90+
Beam Angle	15°, 25° or 38°
Dimmable	Yes
Installation	Track, Pendant or Surface-Mounted
Working T°	-20°C ~ +45°C
Warranty	5 years

#### MAIN FEATURES:

- Sleek design with built-in driver
- Beam angle can be changed easily by replacing reflectors without any tool.
- Track head rotates through 355° and pivots through 90°

#### APPLICATION:

- Optimum accent lighting for museums, exhibitions, art galleries, sales and showroom areas.



#### FINISH

Standard White, Black, Silver

#### ON REQUEST

CRI	80+, 90+
Beam Angle	15°, 25° or 38°
Installation Type	On 3-pin track On 4-pin track Pendant Surface-Mounted
Dimming Option	Triac, 1-10V <i>Ask technical departement for more information</i>

#### COLOR TEMPERATURE & LUMINOUS FLUX

##### EN-TLI020-03 + EN-TLI020-04

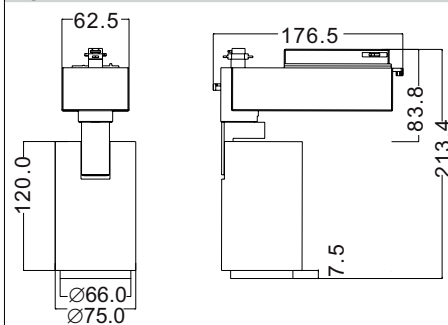
<b>2'700K</b>	<b>3'000K</b>	<b>4'000K</b>	<b>5'000K</b>
1490 lm $\pm 5\%$	1680 lm $\pm 5\%$	1780 lm $\pm 5\%$	1820 lm $\pm 5\%$

#### CERTIFICAT

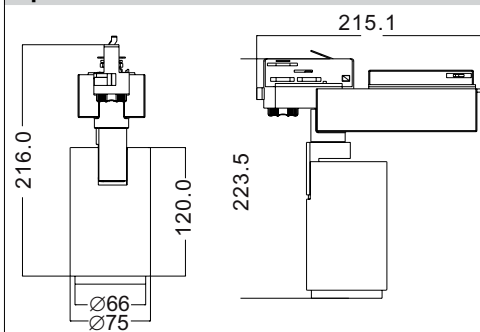
CE

#### TECHNICAL DRAWINGS

##### 3-pin track



##### 4-pin track



#### AGABEKOV



AGABEKOV SA Manufacture 6, ROUTE DE COMPOIS  
CH-1222 VÉSENAZ - GENEVA - SWITZERLAND  
Tel. +41 22 752 47 45 Fax. +41 22 752 37 08  
E-mail: info@aaabekov.com



AGABEKOV SA Bureau d'etudes 6, ROUTE DE COMPOIS  
CH-1222 VÉSENAZ - GENEVA - SWITZERLAND  
Tel. +41 22 752 47 45 Fax. +41 22 752 37 08  
Internet: www.aaabekov.com

