

TECHNICAL DATA SHEET

LESITAL IP65 / Flex Led

VERSION - 30.04.2018

STANDARD LUMINAIRE

Reference	LESITAL
Protection Class	IP65 - Tube IP68 (1 meter)
Lighting Source	Flex Led
Dimensions	78 x 89mm
Lenght Standard	200 - 530 - 1025 - 1520 - 2015mm
Lenght on measure	on request up to 2015mm
Nb Lighting Source	60 LED/m
Voltage	24V
Power	4.8W/m
Connecting Cable	One side: 1m 180° cable Silicone 2x1.5mm ²

FINISH

Color Finishing Profil

Standard	Natural Anodised Aluminium
On request	Thermo-enameling Powder Coating RAL Color Anodising

Glass Finishing

Standard	Clear
On request	Opaline

ON REQUEST

Recessed Box	LESI BOX (See data sheet)
Grid	GTCE : Transversal
Connecting Plug	AMS / AF or AMS-E / AF-E
Dimming Option	1-10V, Dali, KNX <i>Ask technical departement for more information</i>

LIGHTING SOURCE

Lighting Source	Flex Led
Voltage	24V
Power	4.8W/m
Nb Led	60 LED/m - LED Pitch: 16.8mm
Beam Angle	120°
CRI	>80
Cut-Out	every 100mm
Lifetime	50'000h or 5 years
Working T°	-30°C to +75°C

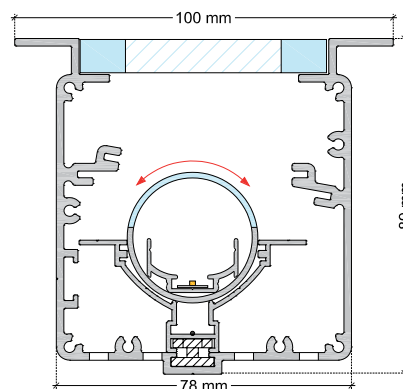
Color Temperature & Luminous Flux / Meter

CCT	2700K	3000K	4000K
lm/m	390 lm	390 lm	425 lm

CERTIFICAT



LESITAL / Flex Led



ON REQUEST : Transversal Grid GTCE

