

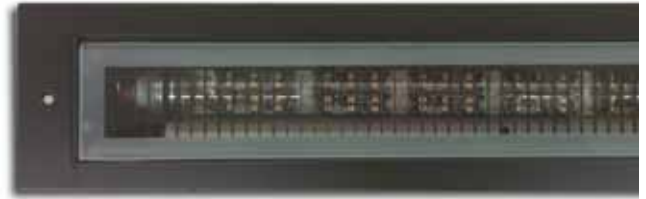
TECHNICAL DATA SHEET

LESITD IP65 / Aga-Led® Type B

VERSION - 06.01.2017

STANDARD LUMINAIRE

Reference	LESITD
Protection Class	IP65 - Tube IP68 (1 meter)
Lighting Source	Aga-Led® Type B
Connector	Rigid Loop on B'Light conductor 16mm ²
Dimensions	78 x 89mm
Lenght Standard	200 - 530 - 1025 - 1520 - 2015mm
Lenght on measure	on request up to 2015mm
Nb Lighting Source	32 LED/m
Voltage	24V
Power	With B3: 30.72W/m - With B6: 38.4 W/m
Connecting Cable	One side: 1m 180° cable Silicone 2x1.5mm ²



FINISH

Color Finishing Profil

Standard	Natural Anodised Aluminium
On request	Thermo-enameling Powder Coating RAL Color Anodising

Glass Finishing

Standard	Clear
On request	Opaline

ON REQUEST

Recessed Box	LESI BOX (See data sheet)
Grid	GTCE : Transversal
Connecting Plug	AMS / AF or AMS-E / AF-E
Dimming Option	1-10V, Dali, KNX <i>Ask technical departement for more information</i>

LIGHTING SOURCE

Lighting Source	Aga-Led® Type B - Generation 2	
Ref	B3	B6
Power	0.96W	1.2W
Voltage	24V	24V
Beam Angle	120°	120°
CRI	80	80
Lifetime	50'000h	
Working T°	-20°C to +45°C	
Environmental protection	Modified acrylate resin	

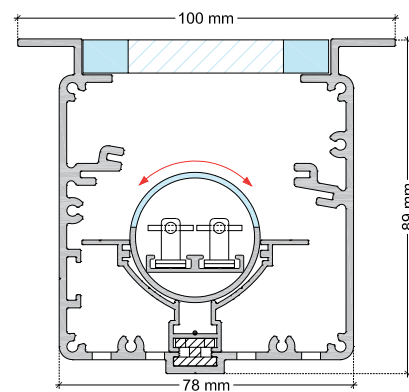
Color Temperature & Luminous Flux / Unit

	2200K	2400K	2700K	3000K	4000K
Aga-Led® B3-G2	--	97 lm	137lm	137lm	137lm
Aga-Led® B6-G2	129 lm	140 lm	166 lm	166 lm	166 lm

CERTIFICAT



LESITD / AGA-LED® TYPE B - Rigid Loop



ON REQUEST : Transversal Grid GTCE

