

## TECHNICAL DATA SHEET

### LU3SAL IP20 / Aga-Led® Type A

VERSION - 13.11.0215

#### STANDARD LUMINAIRE

Reference	LU3SAL
Protection Class	IP20
Lighting Source	Aga-Led® Type A
Connector	Festoon on B'Light conductor 16mm <sup>2</sup>
Dimensions	52 x 28mm
Standard Length	330 - 670 - 1000 - 1330 - 1670 - 2000mm
Length on measure	on request up to 3000mm
Nb Lighting Unit	18 LED/m
Voltage	24V
Power	18 W/m
Connecting Cable	1m standard cable 2x1.5mm <sup>2</sup>

#### FINISH

##### Color Finishing Profil

Standard	Natural Anodised Aluminium
On request	Thermo-Enameling Powder Coating RAL Color Anodising Polished Aluminium Chrome Aspect Polished Aluminium Gold Aspect

#### ON REQUEST

Fixation	ABA: Perpendicular Support ABS: 45° upward or downward support
Cover	VAS: Clear Glass / VOS: Opaline Glass
End Caps	EPA EPAR (for VAS/VOS Cover)
Connecting Plug	AMS / AF
Dimming Option	1-10V, Dali, KNX <i>Ask technical departement for more information</i>

#### LIGHTING SOURCE

Lighting Source	Aga-Led® Type A
Ref	A10
Voltage	24V
Power	1W
Beam Angle	15°
CRI	80
Lifetime	60'000h
Working T°	-30°C ~ +55°C
Option	AGC: Anti Glare Optic



#### Color Temperature & Luminous Flux / Unit

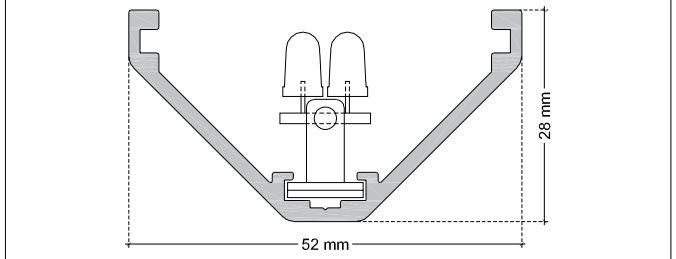
CCT	<b>2800K</b>	<b>4000K</b>
Luminous Flux/Unit	40 lm	45 lm

#### CERTIFICAT



#### APPLICATION: cornices, walls, front lighting

##### LU3SAL / AGA-LED® TYPE A - Festoon



#### ON REQUEST: LU3SAL Fixation - NOT POSSIBLE WITH COVER

##### ABA

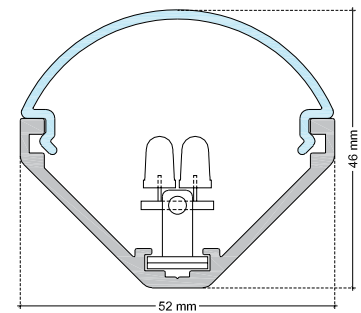


##### ABS



#### ON REQUEST: LU3SAL Cover

##### VAS/VOS



#### ON REQUEST: LU3SAL End Caps

##### EPA



##### EPAR fot VAS/VOS Cover



#### ON REQUEST : Connecting Plug AF/AMS

