

TECHNICAL DATA SHEET

LU4TD IP66 / Flex Led

VERSION - 30.04.2018

STANDARD LUMINAIRE

Reference	LU4TD66
Protection Class	IP66
Lighting Source	Flex Led
Dimensions	53 x 55mm
Length standard	230 - 630 - 1130 - 1630 - 2130mm
Length on measure	on request up to 2930mm
Nb Lighting Source	140 LED/m
Voltage	24V
Power	9.6W/m
Connecting Cable	One Side: 1m cable Silicone 180° 2x1.5mm ²
End Caps	EL3

FINISH

Finishing Tube

Standard Polycarbonate
Not suitable for swimming-pool or chlorine environment

Color Finishing Profil

Standard Natural Anodised Aluminium
 On request Thermo-enameling
 Powder Coating RAL
 Color Anodising

ON REQUEST

Fixation	FLP Series
Connecting Cable	Two sides: in and out cables
Connecting Plug	AMS / AF or AMS-E / AF-E
Dimming Option	1-10V, Dali, KNX <i>Ask technical departement for more information</i>

LIGHTING SOURCE

Lighting Source	Flex Led	
Voltage	24V	
Power	4.8W/m	
Nb Led	60 LED/m	
Nb Pitch	16.8mm	
Beam Angle	120°	
CRI	>80	
Cut-Out	every 100mm	
Lifetime	50'000h or 5 years	
Working T°	-30°C to +75°C	

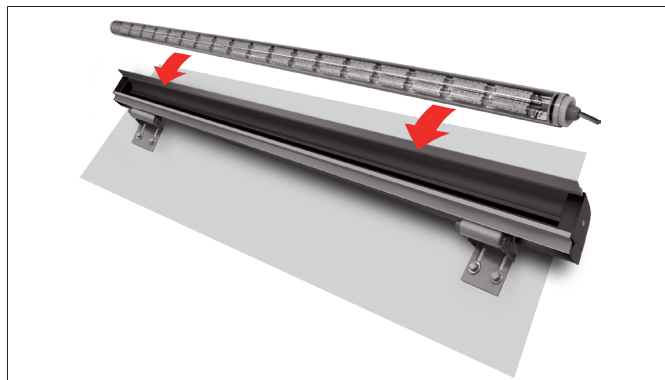
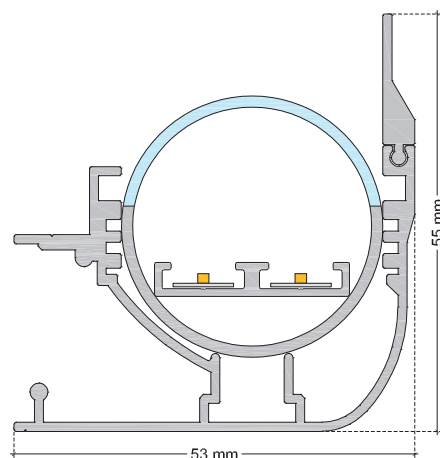
Color Temperature & Luminous Flux / Meter

CCT	2700K	3000K	4000K
lm/m	129 lm	140 lm	166 lm

CERTIFICAT



LU4TD66 / Flex Led



ON REQUEST: Connecting Plug

AF/AMS



AF-E/AMS-E (IP68)

