

TECHNICAL DATA SHEET

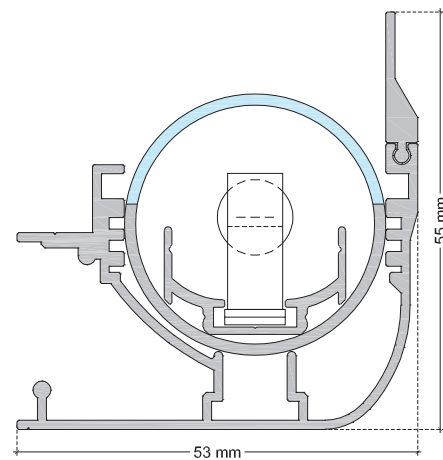
LU4TX IP66 / Xenon

VERSION - 09.05.2016

STANDARD LUMINAIRE

Reference	LU4TX66
Protection Class	IP66
Lighting Source	Xenon - Max 3W
Connector	Rigid Loop on B'Light conductor 16mm ²
Dimensions	53 x 55mm
Lenght standard	185 - 515 - 1010 - 1505mm
Lenght on measure	on request up to 1505mm
Nb Lighting Source	16 Bulbs/m
Voltage	24V
Power	48 W/m
Connecting Cable	Two Sides: 200mm Standard cable 2x4mm ²
End Caps	RECS

LU4TX66 / Xenon - Rigid Loop



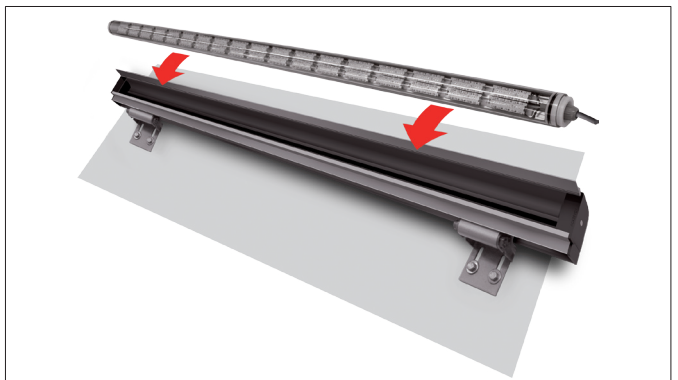
FINISH

Finishing Tube

Standard Polycarbonate lens

Color Finishing Profil

Standard Natural Anodised Aluminium
 On request Thermo-enameling
 Powder Coating RAL
 Color Anodising
 Polished Aluminium Chrome Aspect
 Polished Aluminium Gold Aspect



ON REQUEST

Fixation	FLP Series
Connecting Plug	AMS / AF or AMS-E / AF-E
Dimming Option	1-10V, Dali, KNX Ask technical departement for more information

LIGHTING SOURCE

Lighting Source	Xenon Long Life
Glass	Clear or Frosted
Power	3W
Voltage	24V
Beam Angle	360°
Color Temperature	2300K
Light Output lm/unit	12.6lm
Lifetime	20'000h

ON REQUEST: Connecting Plug

AF/AMS



AF-E/AMS-E (IP68)



CERTIFICAT



AGABEKOV



AGABEKOV SA Manufacture 6, ROUTE DE COMPOIS
 CH-1222 VÉSENAZ - GENEVA - SWITZERLAND
 Tel. +41 22 752 47 45 Fax. +41 22 752 37 08
 E - mail: info@aaabekov.com



AGABEKOV SA Bureau d'etudes 6, ROUTE DE COMPOIS
 CH-1222 VÉSENAZ - GENEVA - SWITZERLAND
 Tel. +41 22 752 47 45 Fax. +41 22 752 37 08
 Internet: www.aaabekov.com

