

## TECHNICAL DATA SHEET

### LU6DAL IP20 / Aga-Led® Type B

VERSION - 01.09.0215

#### STANDARD LUMINAIRE

Reference	LU6DAL
Protection Class	IP20
Lighting Source	Aga-Led® Type B
Connector	Rigid Loop
Dimensions	35 x 39mm
Length on measure	110mm to 3000mm
Nb Lighting Unit	36 LED/m
Voltage	24V
Power	43.2 W/m
Connecting Cable	1m standard cable 2x1.5mm <sup>2</sup>

#### FINISH

##### Color Finishing Profil

Standard	Natural Anodised Aluminium
On request	<i>Thermo-Enameling</i>
	<i>Powder Coating RAL</i>
	<i>Color Anodising</i>
	<i>Polished Aluminium Chrome or Gold Aspect</i>

#### ON REQUEST

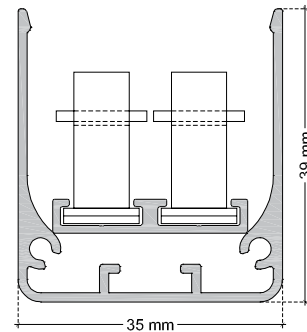
Cover or Grid	CRPS (Ht:+1mm)
	VSM6: Opaline Glass (Ht:+20mm)
End Caps	ERPS
	ERPS-N (luminaire length mini 140mm)
Dimming Option	1-10V, Dali, KNX
	<i>Ask technical departement for more information</i>

#### LIGHTING SOURCE

Lighting Source	Aga-Led® Type B - Generation 2				
Ref	B2	B3	B4	B6	
Voltage	24V	24V	24V	24V	
Power	1.2W	0.96W	1.2W	1.2W	
Beam Angle	120°	120°	120°	120°	
CRI	80	80	80	80	
Color Temperature	lm/Unit				
	2000K	40 ~ 68	40 ~ 82	46 ~ 78	70 ~ 118
	2400K	48 ~ 81	58 ~ 97	55 ~ 93	83 ~ 140
	2800K	68 ~ 114	82 ~ 137	66 ~ 111	99 ~ 166
	4000K	68 ~ 114	82 ~ 137	66 ~ 111	99 ~ 166
Lifetime / L70 at 25°	50'000h / 36'000h				
Working T°	-20°C to +45°C				
Environmental protection	Modified acrylate resin				

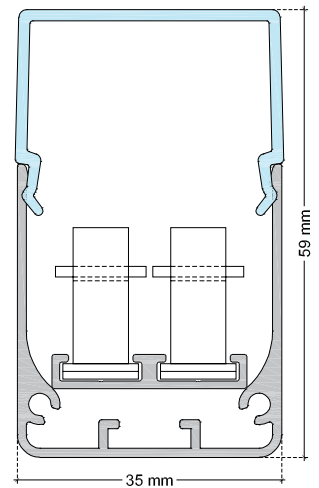
#### APPLICATION: Walls, Frescoes

##### LU6DAL / AGA-LED® TYPE B - Rigid Loop

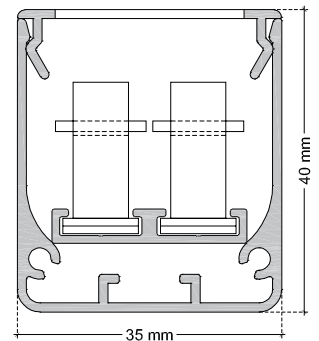


##### LU6DAL COVER

###### VSM6



###### CRPS



#### CERTIFICAT



#### AGABEKOV



**AGABEKOV SA Manufacture** 6, ROUTE DE COMPOIS  
CH-1222 VÉSENAZ - GENEVA - SWITZERLAND  
Tel. +41 22 752 47 45 Fax. +41 22 752 37 08  
E - mail: info@aaabekov.com



**AGABEKOV SA Bureau d'etudes** 6, ROUTE DE COMPOIS  
CH-1222 VÉSENAZ - GENEVA - SWITZERLAND  
Tel. +41 22 752 47 45 Fax. +41 22 752 37 08  
Internet: www.aaabekov.com

